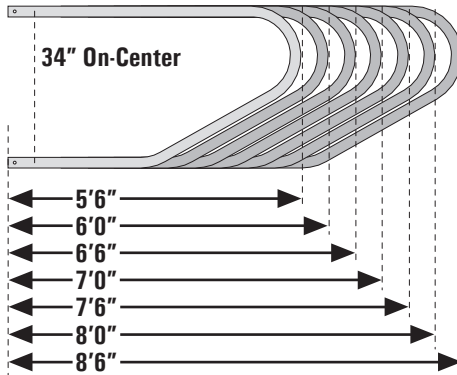


Cow/Heifer/Calf Freestall Loops

A few factors go into choosing the best shape and size loop for your herd. Take into consideration your bedding and how you'll maintain the under stall area. Some shapes are more convenient when dealing with sand and straw. Also, know what the average size cow is that will be using the loops. Calves, heifers, and cows have different needs. Breeds vary in size. If you need assistance choosing the perfect loop for your operation, reach out to your local J&D reseller or contact J&D directly.

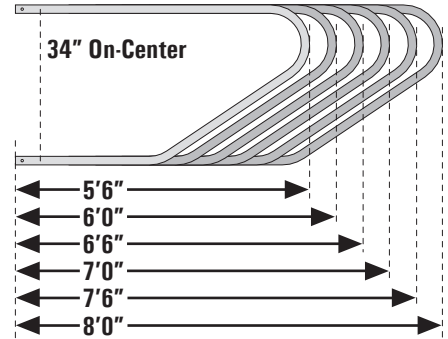
Cow Ironside Loops - 2³/₈" OD, 10 GA.

Part#	Length
TF856-H	5'6"
TF860-H	6'0"
TF866-H	6'6"
TF800-H	7'0"
TF876-H	7'6"
TF880-H	8'0"
TF886-H	8'6"



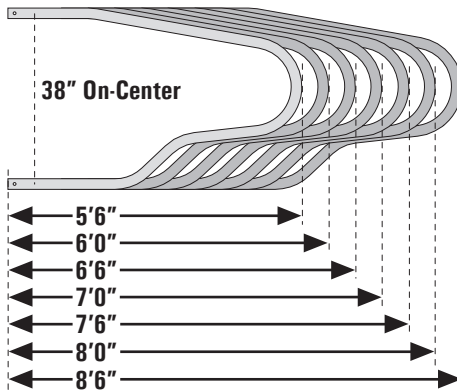
Heifer Ironside Loops - 1.9" OD, 11 GA.

Part#	Length
TF956	5'6"
TF960	6'0"
TF966	6'6"
TF970	7'0"
TF976	7'6"
TF980	8'0"



Cow Relax Fit Loops - 2³/₈" OD, 10 GA.

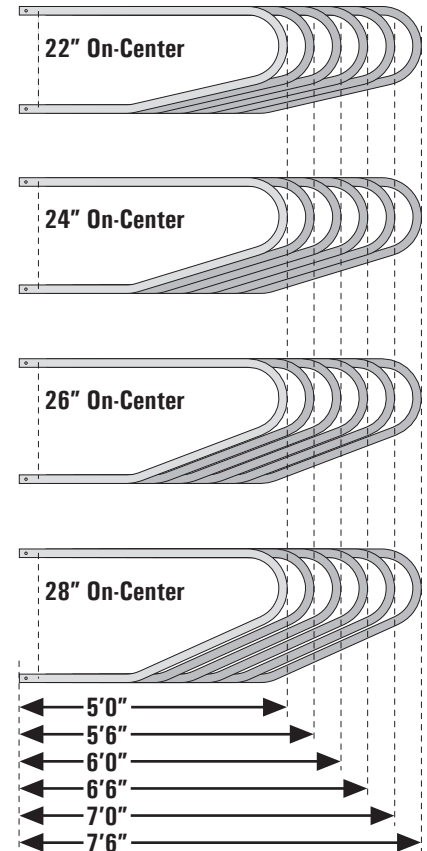
Part#	Length
TFY856-H	5'6"
TFY860-H	6'0"
TFY866-H	6'6"
TFY870-H	7'0"
TFY876-H	7'6"
TFY880-H	8'0"
TFY886-H	8'6"



Calf/Heifer Ironside Loops - 1.9" OD, 11 GA.

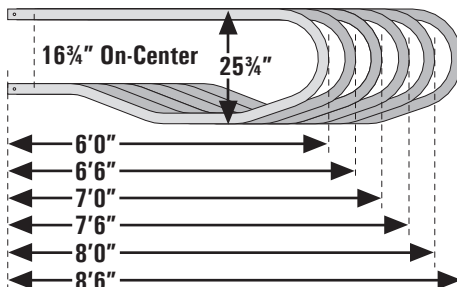
Individually Adjustable Loop System Compatible

Part#	Length
22" On-Center	
TFC950-22	5'0"
TFC956-22	5'6"
TFC960-22	6'0"
TFC966-22	6'6"
TFC970-22	7'0"
TFC976-22	7'6"
24" On-Center	
TFC950-24	5'0"
TFC956-24	5'6"
TFC960-24	6'0"
TFC966-24	6'6"
TFC970-24	7'0"
TFC976-24	7'6"
26" On-Center	
TFC950-26	5'0"
TFC956-26	5'6"
TFC960-26	6'0"
TFC966-26	6'6"
TFC970-26	7'0"
TFC976-26	7'6"
28" On-Center	
TFC950-28	5'0"
TFC956-28	5'6"
TFC960-28	6'0"
TFC966-28	6'6"
TFC970-28	7'0"
TFC976-28	7'6"



Cow Dog Bone Loops - 2³/₈" OD, 10 GA.

Part#	Length
TFD860	6'0"
TFD866	6'6"
TFD800	7'0"
TFD876	7'6"
TFD880	8'0"
TFD886	8'6"



⚠ WARNING: This product can expose you to chemicals including lead, which is known to the State of California to cause cancer and birth defects or other reproductive harm. For more information go to www.P65Warnings.ca.gov/product.